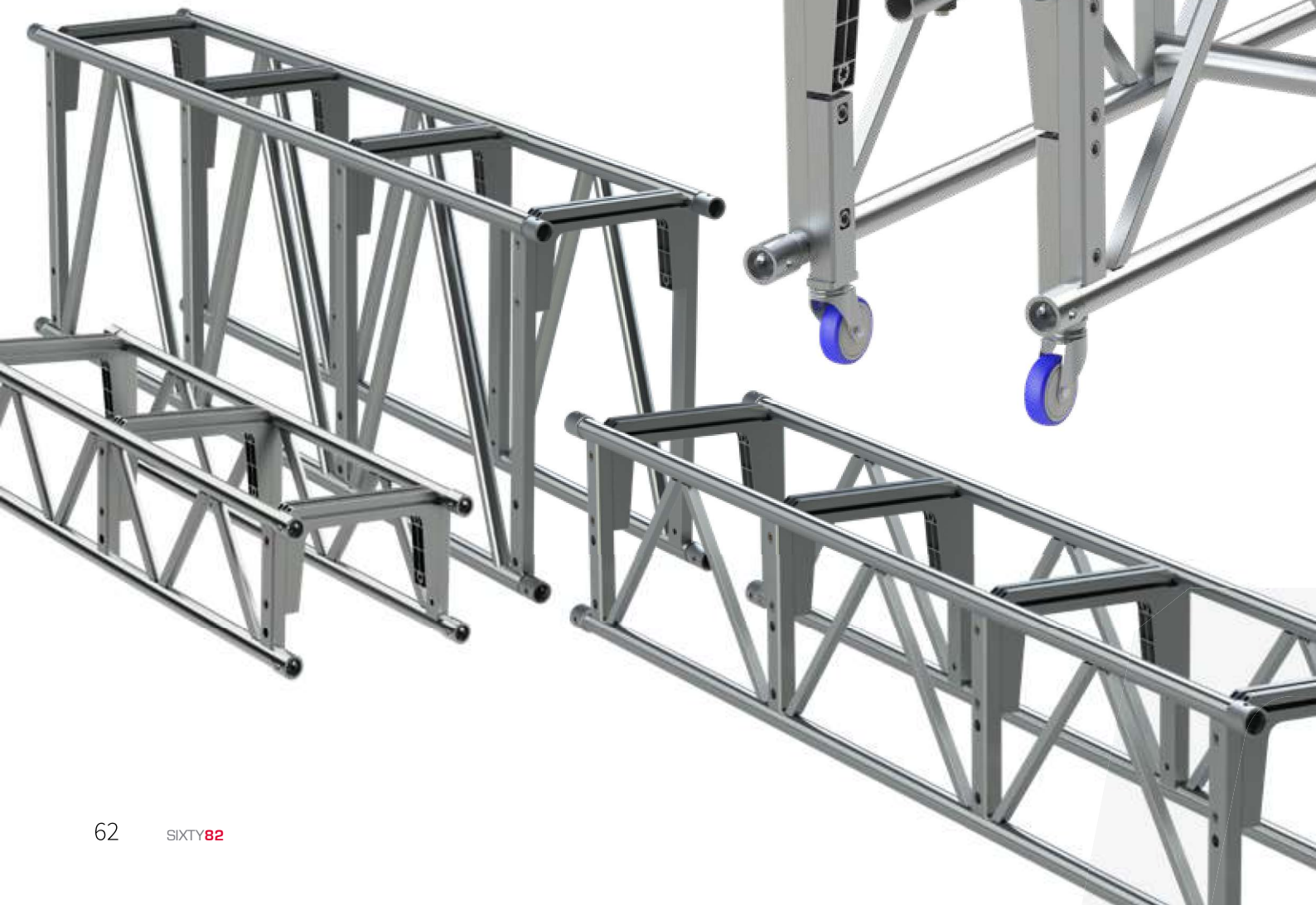


Opening new doors

ALPHA82 is a brand-new patented truss system that you can configure to the job ahead. The unique ALPHA connectors can be connected to expertly designed ALPHA ladder trusses (sizes L39, L52 and XL101) to form a 3D truss with similar strength compared to standard trusses with the same dimensions.

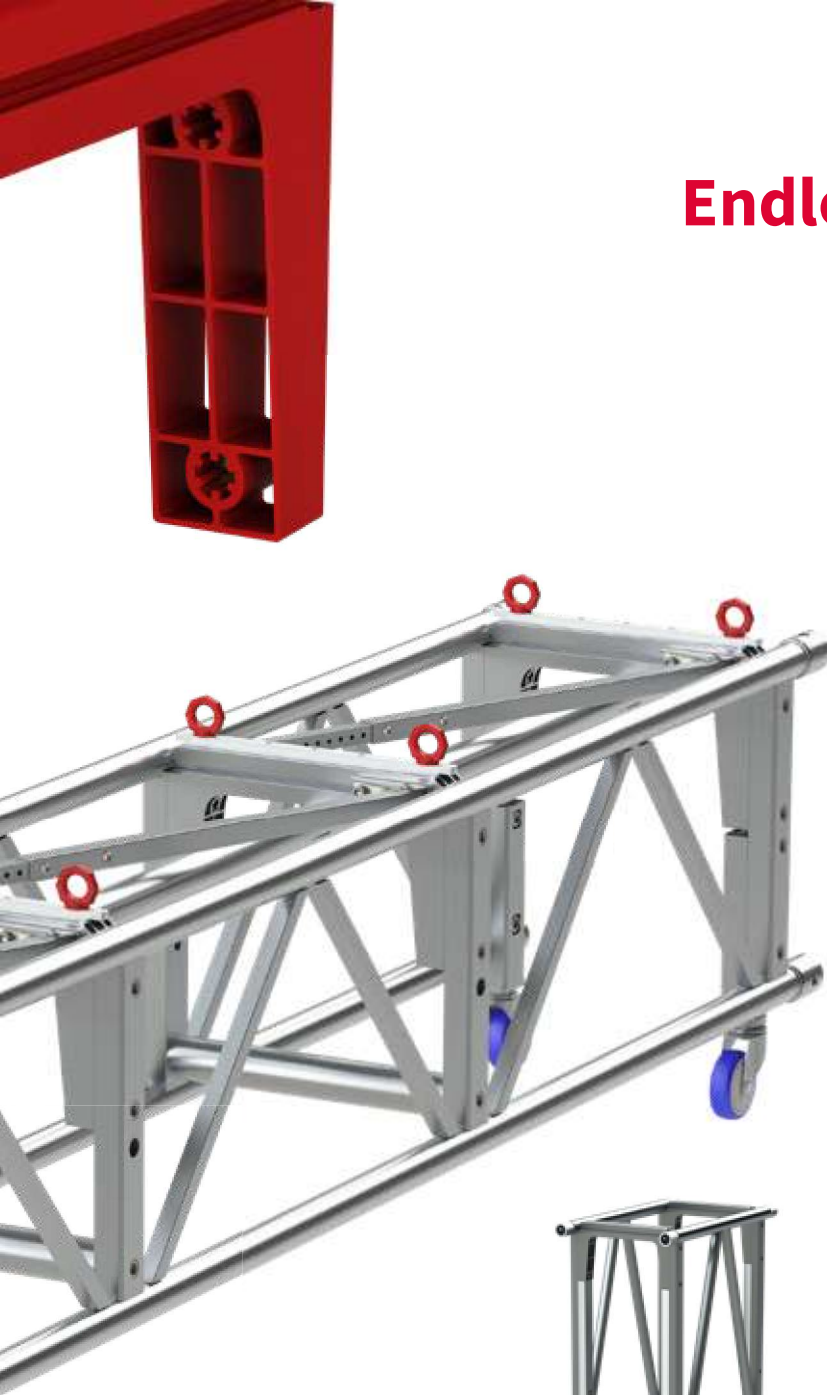
The ALPHA connector contains M12 size slots on all 4 sides enabling you to connect accessories such as lifting eyes, clamps, brackets, curtain tracks, trolley beams, braces and/or machinery.

Available in **three standard heights**



Endless possibilities

Once delivered, you can assemble, configure, and let your creativity run free, using either our 'standard' ALPHA connector or your own configuration to create the shape you need. You can easily adjust your 52 truss from 30 cm width up to 80 cm width with just a couple of bespoke ALPHA connectors and no further investment in truss parts. This results in a much more flexible inventory than your competitors, a lower storage cost due to less warehouse space and, ultimately, a better ROI.



L52 Single



XL101 Single



I Beam



Stackable Truss



L52 Vertical Stacked



XL101 Vertical Stacked



L52 Double Truss



Cable Trunk



L52 Rectangle



Wheel Bracket



60 mm Tube



Stacked L52 Truss

Loading capacity of the Alpha Modular Truss System

Trusses designed from the gamechanging **Alpha Modular Truss System** can have different sizes and shapes. To get an idea of the loading capacity of ALPHA trusses we highlight the **ALPHA L52S truss**. The load table shows loading data of a single span in a basic setup made from AMTS L52 ladders and AMTS Connectors L52S between the top chords only. The truss is open at the bottom.

Adding more ALPHA components to the configuration like horizontal diagonals, cross tubes or ALPHA connectors between the bottom chords will lead to an increase of the vertical and horizontal loading capacity.

Load table

Span m	CPL kg	Deflection mm	2 x load kg	Deflection mm	3 x load kg	Deflection mm	UDL kg/m	Deflection mm
3.0	2250	1	1687.5	2	1125	2	1500	2
6.0	2232	12	1674	15	1116	14	744	15
10.0	1500	36	1125	46	750	43	300	45
14.0	1120	74	840	95	560	88	160	93
18.0	738	104	553.5	133	369	123	82	130
20.0	650	125	487.5	160	325	149	65	157
22.0	561	144	420.8	184	280.5	171	51	180
24.0	528	176	396	225	264	209	44	220

Load Capacity Bolt Channel

Type of Bolt Head of Nut	Max Load
M12 Hexagon Bolt Head	600 kg
M12 Hexagon Nut Din 934	600 kg

Values given are for vertical loads only.

Allowable loadings are based on Eurocode EN 1999.

Higher loads are possible. E.g. when square nuts or bespoke inserts are used.

The maximum load shall also be checked in relation with the length of the span of the ALPHA joint.



Technical data

AMTS CONNECTOR

181001

L52S

2.2 kg



Bolt M16x045 DIN912

AMTS CONNECTOR L52 STACKABLE

181002

2.2 kg



Bolt M16x045 DIN912

AMTS CONNECTOR

181003

XL101

2.4 kg



Bolt M16x045 DIN912

AMTS L39 LADDER

Code	Length	Weight
182061	50 cm	4.6 kg
182062	100 cm	6.6 kg
182063	200 cm	11 kg
182065	240 cm	13 kg
182064	300 cm	15.5 kg



AMTS L52 LADDER

Code	Length	Weight
182001	50 cm	5.1 kg
182002	100 cm	7.1 kg
182003	200 cm	11.9 kg
182004	300 cm	16.7 kg



AMTS XL101 LADDER*

Code	Length	Weight
182031	50 cm	8.5 kg
182032	100 cm	12.5 kg
182033	200 cm	21.9 kg
182034	300 cm	31.3 kg



AMTS ADJUSTABLE DIAGONAL BRACE

183064

1.9 kg



including accessoires

VERTICAL CONNECTOR TUBE

Code	Type	Weight
183010	AMTS L52S	1.6 kg
183011	AMTS XL101	3.5 kg



including accessoires

CROSS TUBE 60MM

Code	Type
183012	AMTS L52S
183013	AMTS XL101



Bolt M16x045 DIN912



Scan the QR-Code
to watch the ALPHA82 video

AMTS WHEEL BRACKET SINGLE

183014

1.9 kg



including accessoires

* Also available in imperial sizes

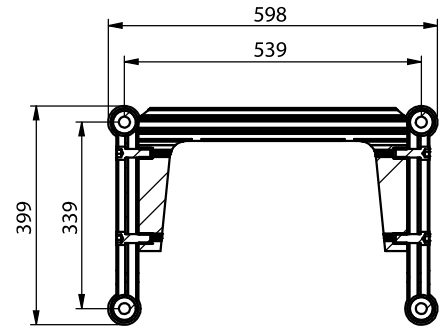
ALPHA Pre-rig Truss

Introducing the **ALPHA82 Pre-rig Truss**. As a leading truss manufacturer, we understand the needs of the AV industry, which is why we've designed the **ALPHA82 Pre-rig Truss** to offer a convenient and efficient pre-rigged solution that can save time and effort during installation.

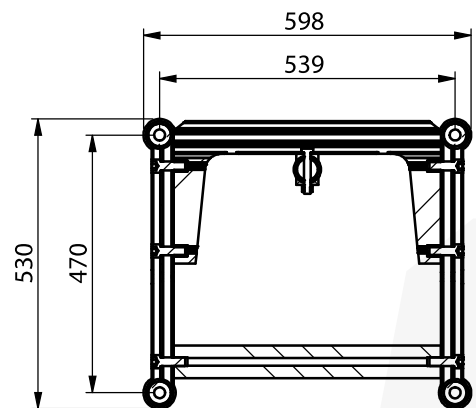


The **ALPHA82 Pre-rig Truss** is a modular truss system that can be easily configured and assembled to fit any venue or event space. The **ALPHA82 Pre-rig Truss** is designed with the **ALPHA connectors** that allow for easy attachment of various accessories, including lifting eyes, clamps, brackets, curtain tracks, trolley beams, braces, and machinery. This gives you the flexibility to add the fixtures and equipment that you need for your specific event.

To make installation even more effortless, we offer a foldable dolly that can be used to transport and set up the **ALPHA82 Pre-rig Truss**. The dolly is compact and easy to maneuver, making it ideal for events with tight deadlines or limited setup time.



Alpha L39



Alpha L52

AMTS PRE-RIG L39 LADDER 240cm 2
182065 13 kg



AMTS PRE-RIG L52 LADDER 240cm 2
182011 14.5kg



AMTS CONNECTOR PRE RIG 4
181005 2.5kg



AMTS MIDDLE TUBE 50X4 240cm 1
183029 4.32kg



AMTS PRE-RIG CROSS TUBE 60mm 2
183026 1.4kg



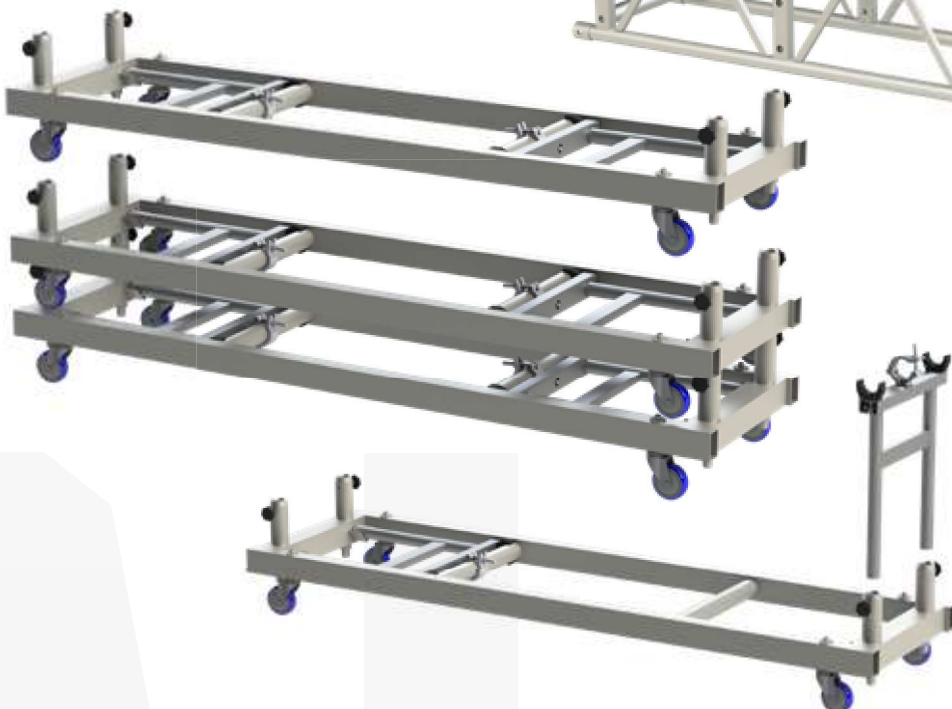
AMTS PRE-RIG DOLLY 240cm 1
183025 27.5kg



AMTS PRE-RIG STACKER 2
183030 1.5kg



AMTS MIDDLE TUBE BRACKET
183056

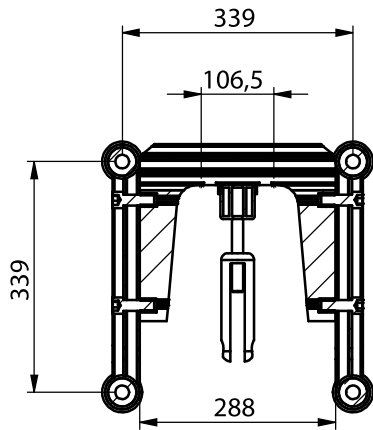


ALPHA82 LED truss

The ALPHA82 LED Truss is engineered specifically for modern LED screen applications where strength, precision, and speed of deployment are critical.

Based on a 39×39 cm box-truss, the system combines heavy-duty main chords with the L-connection system, delivering exceptional load capacity within a compact form factor. This makes the LED Truss ideally suited for high loads at limited build heights and touring applications.

The integrated LED Adjuster beam features slotted holes, allowing maximum flexibility in positioning the levelling forks. This enables precise alignment of LED spreaderbars, compensating effortlessly for any tolerances.



To reduce build time, the LED spreader bars can remain installed inside the truss during transport.

AMTS L39S LED ADJUSTER TRUSS

Code	Length
606018	AMTS L39S LED Adjuster truss L050cm
606019	AMTS L39S LED Adjuster truss L100cm
606020	AMTS L39S LED Adjuster truss L200cm
606021	AMTS L39S LED Adjuster truss L300cm



Want to order the LED Adjuster set for your existing alpha truss setup? find the product codes below:

AMTS LED ADJUSTER SET

Code	Length
183051	50 cm
183052	100 cm
183053	200 cm
183054	240 cm
183055	300 cm
183057	LED Adjuster Fork Set

